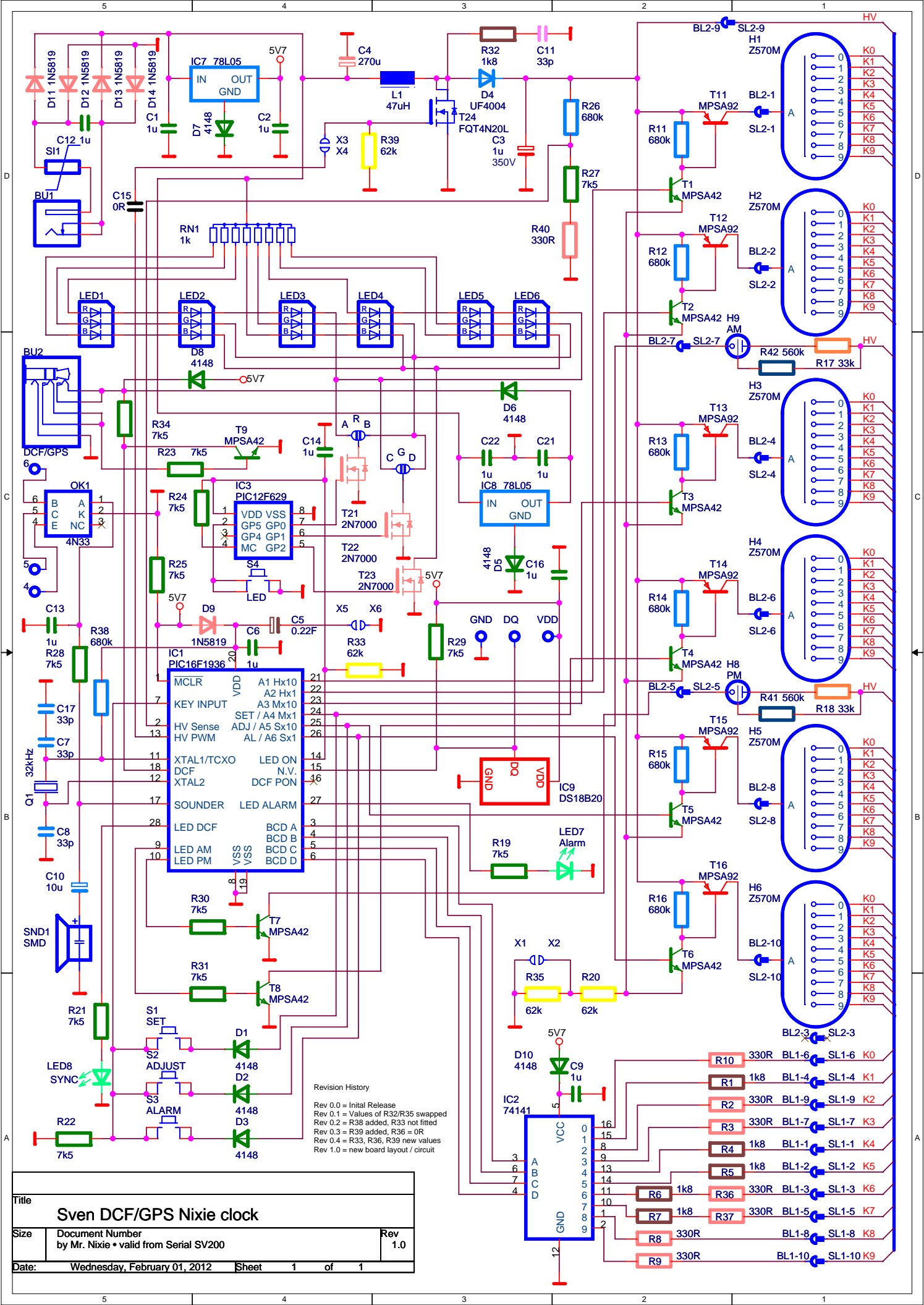


Revision History

- Rev 0.0 = Initial Release
- Rev 0.1 = Values of R32/R35 swapped
- Rev 0.2 = R38 added, R33 not fitted
- Rev 0.3 = R39 added, R36 = 0R
- Rev 0.4 = R33, R36, R39 new values
- Rev 1.0 = new board layout / circuit
- Rev 2.0 = new board layout / circuit

Title		
Sven DCF/GPS Nixie clock Rev.2		
Size	Document Number	Rev
	by Mr. Nixie • valid from Serial SV300	2.0
Date:	Monday, April 02, 2012	Sheet 1 of 1



Revision History
 Rev 0.0 = Initial Release
 Rev 0.1 = Values of R32/R35 swapped
 Rev 0.2 = R38 added, R33 not fitted
 Rev 0.3 = R39 added, R36 = 0R
 Rev 0.4 = R33, R36, R39 new values
 Rev 1.0 = new board layout / circuit

Title		
Sven DCF/GPS Nixie clock		
Size	Document Number	Rev
	by Mr. Nixie • valid from Serial SV200	1.0
Date:	Wednesday, February 01, 2012	Sheet 1 of 1